

Metro Transit Rack

Manual Version 02

Make sure you have all the latest information needed to use and enjoy this product!

Visit ternbicycles.com/support for updated:



MANUALS



COMPATIBILITY



ARTICLES



VIDEOS



& MORE

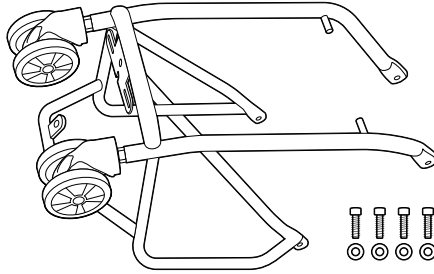


Weight Limits

- ⚠ Do not exceed the load limit of 20 kg (44 lb).

What's Included

- Metro Transit Rack x 1
- M5 x 15 Screw x 4
- M5 Washer x 4



Safety

- ⚠ Metro Transit Rack is not designed for use with any kind of passenger seating accessories, including child seats.
- ⚠ The combined weight of the bike (including battery), rider, accessories, and cargo must NOT exceed the Maximum Gross Vehicle Weight (MGVW) indicated for your bike.
- ⚠ Make sure load weight is distributed evenly on both sides of the bike.
- ⚠ Secure all cargo before riding. Take care that all Straps are tied down and any loose items are secured.
- ⚠ Check to ensure all accessories have been correctly installed and securely fastened before riding.
- ⚠ Your bike may behave differently with cargo.

Installation

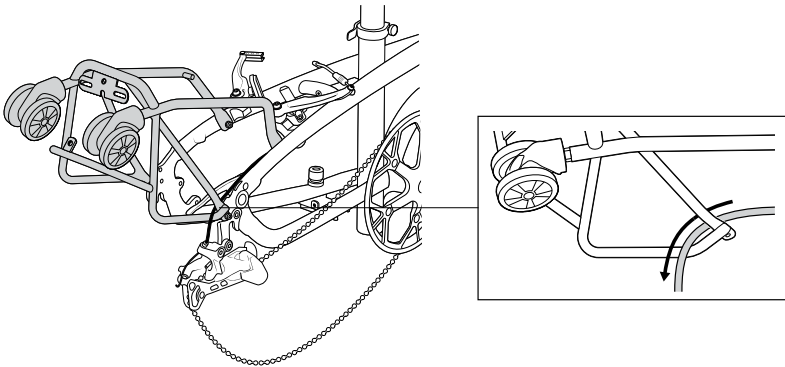
Tools Required (Not Included)

- 4 mm Allen Wrench
- 5 mm Allen Wrench

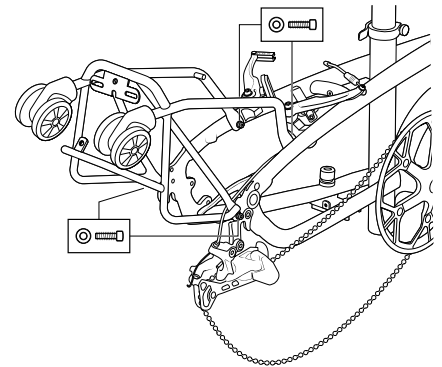
- ⚠ Do not attempt to install this component without proper tools, training, or know-how. If you are unsure how to service or install this component, please bring it along with the bike to a trained bicycle technician.

1. Install Metro Transit Rack.

- Disconnect the Shift Cable and thread it through the Metro Transit Rack before connecting it to the Rear Derailleur.



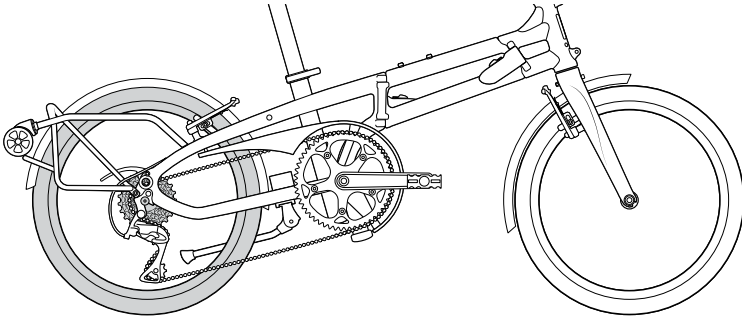
- Tighten Screws to a torque of 6 Nm.



Metro Transit Rack

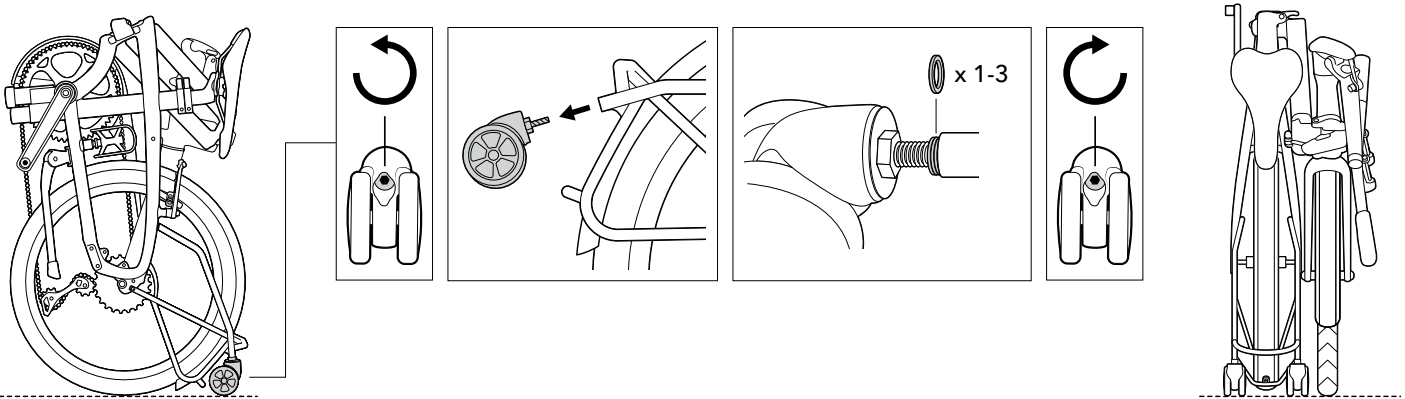
2. Reinstall the rear wheel.

- Follow [BYB Hub Axle Skewer manual](#) to tighten the Axle properly.
- After installation, please check to ensure Gear Shifting works properly.



Standing Angle Adjustment

- Add M8 washers (not included) as needed so that the bike is balanced when standing up and when being pushed in trolley mode.



LIMITED PRODUCT WARRANTY INFORMATION: This Product comes with a ONE (1) YEAR Limited Warranty from the date of retail purchase by the original end-user. If a material or workmanship defect arises and a valid claim is received within the Warranty Period, this Product will be replaced. Mobility Holdings cannot be held liable for damages to personal property due to misuse or improper care and maintenance. This Product Warranty does not, under any circumstance, cover the replacement or cost of any third party product used with or connected to the Product.

Tern, the Tern Werd (logotype), and the Tern Berd (device) used alone or in combination are trade names, trade devices, or registered trademarks of Mobility Holdings, Ltd.

© 2025. Tern is a trademark of Mobility Holdings, Ltd. All Rights Reserved.

   @ternbicycles

ternbicycles.com